

ALL-NEW DACIA JOGGER: THE 7-SEATER FAMILY CAR REINVENTED





CONTENTS

Introduction	3
The most affordable C-segment family car with an off-road feel	4
DESIGNED FOR THE GET-AWAY FEEL	
SPACE AND COMFORT THROUGHOUT	
THE DACIA JOGGER 'EXTREME', AN ASSERTIVE OFF-ROAD STYLE	
The new all-rounder with up to 7 seats for the whole family	9
RECORD SPACIOUSNESS AND MODULARITY	
MULTIMEDIA: FREEDOM OF CHOICE	
A real Dacia, essential and efficient	12
A MODERN PLATFORM WITH ON BOARD SAFETY	
A RANGE OF EFFICIENT PETROL AND LPG MOTORS	
THE DACIA JOGGER HYBRID SET FOR RELEASE IN 2023	
Dimensions	16

INTRODUCTION

Dacia underscores its C-segment ambition with a new family model accessible offering 5- and 7-seater versions. The Dacia Jogger stands as the fourth pillar of Dacia's product strategy. Having released its small all-electric city car Spring, compact Sandero, and SUV Duster, Dacia is now revamping its family car into a new 7-seater model. A new model launch that follows on with Dacia's plan to renew its range, with two more models set to be released by 2025.

A versatile family car, the Dacia Jogger takes the best of each category: the length of an estate, the spaciousness of an MPV, and the looks of an SUV. It is in a class of its own. A true member of the Dacia family, the Dacia Jogger offers the best price-to-spaciousness ratio and versatility of an all-rounder car.

With a name that evokes sport, the great outdoors, and positive energy, **the Dacia Jogger helps carry forward the brand's new identity.** Short, modern, and international, the name reflects robustness and **versatility of use.** The Dacia Jogger is about having a life-long companion there for the daily life of families looking to getaway to the great outdoors.

Upon its release, the Dacia Jogger will be available with two engines: the brand-new **TCe 110 petrol engine** and the **ECO-G 100 engine.** Dacia is the only car manufacturer to offer a full range of vehicles on the retail market with petrol and LPG bi-fuel 'ECO-G' engines.

2023 will see the addition of a hybrid engine to the range. The Dacia Jogger will be **the most accessible 7-seater hybrid on the market!**

Orders are scheduled to open in November 2021 in some 30 countries, mainly in Europe, but also in Turkey and Israel. The Dacia Jogger will arrive in dealerships in February 2022.

” Once again, Dacia is changing the rules as it reinvents the versatile, affordable family car. As either a 5 or 7-seater, Jogger perfectly embodies Dacia's positioning and spirit. With versatility thanks to its record levels of space and modularity and an attractive, rugged design, Jogger is made for adventure. Jogger underscores Dacia's commitment to making mobility accessible to all and sustainable, as highlighted by its upcoming hybrid model. Whether you're with your family, running an errand, or enjoying some leisure time, Jogger is your ideal companion. “

Denis Le Vot, Dacia CEO.

THE MOST AFFORDABLE C-SEGMENT FAMILY CAR WITH AN OFF-ROAD FEEL



DESIGNED FOR THE GETAWAY FEEL

In rethinking the family car, Dacia sought to respond to the pull of the great outdoors and the wide-open road, but also the adventures of modern family life. With the length of an estate, the spaciousness of an MPV, and the looks of an SUV, the Dacia Jogger is a true getaway vehicle.

A DYNAMIC PROFILE

The front profile of the Dacia Jogger incorporates a wide grille, unique to the Dacia brand, strong wings that extend the wheels to the four corners of the car, and a sculpted, horizontal bonnet. Its flush wheels and tailboard spoiler provide a dynamic feel. The vertical rear lights maximise the width of the boot door. Their dropline emphasizes the rear-wing shoulders giving a well-grounded feel atop its wheels.

The Dacia Jogger has an outdoor feel thanks to the roof rails, strong wheel arches, and high ground clearance (200mm unladen) that suits all road types.

GENEROUS DIMENSIONS

Fitted with large-diameter wheels (660mm) and a high tire aspect ratio, the Dacia Jogger looks sturdy. Its generous 2.9m wheelbase, headroom, and vertical rear-end (vertical rear lights, extra-wide tailboard, low sill) make for a roomier interior and larger boot volume. The increased rear-door length and side-window drop-line (40mm) make the rear seats more accessible and spacious. At 4.55m, the Dacia Jogger is the longest vehicle in the Dacia range. Dimensions sought after by families looking for everyday versatility.

THE SIGNATURE Y-SHAPE LIGHTS

The front and rear optics incorporate Dacia's new Y-shaped light signature. LED technology is used in the front day lamps and low-beam head lights. Not only does it use less energy, but LED technology also provides better lighting in order to see and be seen better both day and night.

MODULAR ROOF RAILS

On some versions, the Dacia Jogger comes equipped with modular roof rails that can transform in just a few quick steps. With all sorts of trips in mind, even the most unexpected, the rails also function as a roof rack that can carry up to 80kg (bicycles, skis, roof box, etc.). The ingenious patented system embodies the Dacia spirit: clever, practical, simple, and economical.

PRACTICALITY IN EVERY DETAIL

The flush-mounted wheels, highlighted by strong arches, feature "Flex Wheel" rims with a neat design and perforated shapes. The diamond-cut alloy wheels are also available. The door handles have a sleek, ergonomic design. The button for the power-controlled boot door is hidden under the tailboard trim for convenient and aesthetically pleasing finish.



SPACE AND COMFORT THROUGHOUT

The Dacia Jogger has the right amount of space and versatility for families as they go about their daily lives. With 24L of convenient storage space, it guarantees comfortable use for everyone on board, be they in the front, middle, or even the rear!

A LARGE DASHBOARD

To enhance the impression of interior space in vehicles with the second level trim or higher, the Dacia Colour and Trim teams have included a textile strip that reaches right across the dashboard. Driving components (instrument panel, multimedia screen) are located above the strip, while easily accessible controls (air conditioning, driving aids) are found below. The same textile is also featured on the front door armrests.

COMFORT FOR EVERYONE ON BOARD

Some versions also include fold down tray tables and cup holders for passengers in the 2nd row. The trays extend 70mm to suit passengers of all shapes, sizes, and needs. The 2nd row also features two ISOFIX side-mounts for child safety.

As for the two passengers in the 3rd row, they each get an individual seat, armrest, and large rear quarter vent-window for a better view. This tilting window allows natural ventilation by the passenger.

Each row has its own roof light for a total of three in the 7-seater version. The seat height (+55mm between the row 1 and 2; +25mm between the row 2 et 3) means even greater comfort in the rear seats.

STORAGE THROUGHOUT

The Dacia Jogger has 24 litres of storage space spread throughout the vehicle, so no one misses out. The main compartments include a 7L closed glove box, front and rear door storage that can each fit a 1L bottle, a 1.3L closed centre console, and six cup holders.

SCULPTED AND ADJUSTABLE SEATS

The Dacia Jogger is also comfortable. The seats have been sculpted to provide proper support for the driver and passengers alike. For an ideal driving position, the driver can adjust the seat height (+/- 35mm), steering wheel height (+/- 2.1°) and depth (+/- 25mm) and add a centre armrest with storage (optional).



THE DACIA JOGGER 'EXTREME', AN ASSERTIVE OFF-ROAD STYLE

Dacia will release a limited series for the Dacia Jogger launch called 'Extreme', with an even more pronounced off-road look. It will be available in five body colours: *Pearl Black*, *Slate Grey*, *Moonstone Grey*, *Glacier White* and the launch-colour *Terracotta Brown*.

Outside, the roof rails, mirrors, alloy wheels, and the shark-fin antenna are coated in black. The *Megalith Grey* front and rear skid plates give added contrast. Another distinctive feature of the Extreme limited series are the name stickers located on the front and the rims. Series-specific protective strips are also located on the door sill.

The interior is made unique thanks to red stitching on the seats and chrome trim on the front door panels. The full kit includes a reversing camera, climate control, and hands-free key card.

The Dacia Jogger Extreme comes with floor mats for every seat and a rubber mat for the boot.

THE NEW ALL-ROUNDER WITH UP TO 7 SEATS FOR THE WHOLE FAMILY



RECORD SPACIOUSNESS AND MODULARITY

With three rows, the Dacia Jogger can carry up to 7 adults. Designed to be a true all-rounder, it features more than 60 possible configurations! The Dacia Jogger is there day in, day out, for families whose composition may vary from one day, month, or year to the next.

A VERSATILE VEHICLE

The rear section includes a three-seater 2/3-1/3 split-folding seat (2nd row) and two individual folding seats in the 3rd row that can be removed if needed. Dacia Jogger offers a load capacity of up to 1,819 litres VDA with the seats folded down.

EXCELLENT ACCESSIBILITY EVEN INTO THE 3RD ROW

Stretching 4.55m long and boasting a generous wheelbase of 2.9m, the Dacia Jogger is the roomiest model on the market. The rows 2 and 3 offer the same level of comfort as in the front, with plenty of space for feet and knees. Access to 3rd row seats on the Dacia Jogger is the best around, all thanks to the seat tipping mechanism on the 2nd row. The 855mm headroom and 127mm knee radius in row 3 are among the best of 7 passenger vehicle on the market to comfortably accommodate two adults.

A PRACTICAL AND MODULAR BOOT

In the 5-seater version, the boot volume is 708 litres VDA (top of backrest). In the 7-seater version, the volume is 160 litres VDA, 565 litres VDA with the 3rd row folded down. Thanks to the high boot area (661mm) and long boot floor (1,150mm), families can easily fit a pram or children's push bike, without having to pull it apart, by laying it flat. They can also carry their hiking equipment, tools or pets by simply removing the 3rd row seats. For easy, secure storage when transporting various items, the luggage compartment features elastic straps and four lashing rings. It also includes a 12V socket. The Dacia Jogger also comes fitted with three hooks: two in the boot and one by the front passenger (ideal for suspending a handbag).

MULTIMEDIA: FREEDOM OF CHOICE

The Dacia Jogger incorporates three multimedia options so that everyone can choose the right kit for them depending on the version: the clever Media Control that can be run with or without a smart phone, Media Display and its 8-inch touch screen and Media Nav with smart phone navigation and Wi-Fi replication.

MEDIA CONTROL: A UNIVERSALLY ACCESSIBLE MULTIMEDIA SYSTEM

Media Control is a full-fledged multimedia system. It includes two speakers, a smart phone docking station directly integrated into the dashboard design, Bluetooth, USB port, steering wheel controls, and radio information on display via the on-board computer's 3.5-inch TFT digital screen.

The system boasts more possibilities when paired with a smart phone and [the free Dacia Media Control app](#). The app utilises the phone's GPS apps to offer navigation, and gives much easier access to radio, music, phone calls, messages, and countless other features such as voice activated assistance (Siri or Android). For a safer driving experience, controls can be access either on or just behind the steering wheel.

TAKING THINGS FURTHER: MEDIA DISPLAY AND MEDIA NAV

Media Display includes four speakers, a USB port, and an 8-inch touch screen mounted high on the dashboard that is turned slightly toward the driver for better visibility and ergonomic design. The intuitive and user-friendly interface is Bluetooth enabled and is compatible with Android Auto and Apple CarPlay. A brand-new 'Car' tab gives access to certain ADAS settings.

Lastly, **Media Nav** provides the Dacia Jogger with in-car navigation and Wi-Fi wireless connectivity for Apple CarPlay and Android Auto. The audio system features six speakers and two USB ports.

ESSENTIALS AS STANDARD

The Dacia Jogger gives families precisely what they need in terms of connectivity with a smart phone docking station, 3.5-inch TFT digital display and, depending on the version, up to three 12-V sockets to keep electronic devices charged at all times. The standard range of equipment includes steering wheel buttons for cruise control and the speed limiter, and automatic lamps.

OPTIONAL EXTRAS

The Dacia Jogger features additional equipment, as optional extras and depending on the market. Such extras include heated front seats, automatic air conditioning with digital display, hands-free key card with remote unlocking of boot, and light ignition to help locate your Dacia Jogger at night. As well as automatic wipers, electric parking brake, rear-view camera, blind spot warning, and front/rear parking assistance.

A REAL DACIA, ESSENTIAL AND EFFICIENT



MODERN PLATFORM AND ON-BOARD SAFETY

The Dacia Jogger is built on a modern platform with a reinforced body, six airbags, and features the latest in driver-assistance systems (ADAS) and safety features.

THE PLATFORM OF THE NEW GENERATION OF DACIA

First seen on the All-New Sandero and All-New Logan, the family of CMF-B platforms lies at the heart of Dacia's strategy for its B and C-segment models. The Dacia Jogger features a unique rear module that reaches 4.55m, giving the car the spaciousness and versatility worthy of a C-segment vehicle.

The car's aerodynamics have been designed with under-body fairings and front-controlled aerodynamic flaps and low friction bearings to reduce friction.

REINFORCED BODY

Built on a modern platform, the Dacia Jogger is well protected against shocks thanks to its highly resistant, rigid structure. The body structure incorporates a reinforced engine block (side spars and subframe on the lower track) and passenger compartment.

Pressure sensors on the doors paired with an accelerometer, provide for early detection of side collisions and therefore faster deployment of curtain and side airbags that protect the abdomen, chest, and head areas.

EMERGENCY BRAKE ASSIST

Active between 7 to 170 km/h, the system uses the front-mounted radar to measure the distance to moving vehicles ahead (between 7 to 80 km/h for stationary vehicles). When the system detects an imminent collision, it warns the driver with a visual and audio cue, and then:

- applies more power to the brakes should the driver brake but the risk of collision remains
- applies more power to the brakes or applies them automatically should the driver fail to brake enough or at all.

BLIND SPOT WARNING

Active from 30 to 140 km/h, it warns the driver of a potential collision with another vehicle coming from the side and/or the rear. Four ultrasonic sensors (two in the rear and two in the front) detect a vehicle – including motorcycles – hidden in blind spots. If a vehicle is detected in a blind spot, a LED light on the corresponding side-mirror lights up.

PARK ASSIST

The parking assistance system utilises four front and four rear ultrasound sensors, a rear-view camera and dynamic guideline overlay, and provides audible and visual cues to make manoeuvring a breeze.

HILL START ASSIST

This feature prevents the vehicle from reversing for two seconds when the driver has stopped in an up-hill position and goes to move their foot from the brake to the accelerator to take off again.

It should also be noted that the Dacia Jogger features the latest generation of speed limiter and ESC as standard and offers cruise control with steering wheel controls as an option on certain trims.

A RANGE OF EFFICIENT PETROL AND LPG ENGINES

The Dacia Jogger comes with a range of engines that suits any family need, with the all-new 1.0L TCe 110 petrol engine and the ECO-G 100 petrol/LPG bi-fuel engine. The engines are equipped with Start&Stop and are Euro 6D Full compliant.

ALL-NEW TCe 110 ENGINE

The Dacia Jogger features the all-new TCe 110 petrol engine with a six-speed manual transmission. The TCe 110 is a 1.0 litre, 3-cylinder, direct injection turbo engine that boasts 110 horsepower (81kW). The aluminium engine block means it weighs less. With a torque of 190 Nm at 1,750 rpm (and a maximum torque of 200 Nm at 2900 rpm), it is currently the most powerful engine in the Dacia Jogger range.

The all-new TCe 110 also includes technical innovations that increase output, improve fuel consumption, and reduce CO₂ emissions. Its variable valve timing, variable displacement oil pump, and use of multiple high-efficient materials combine to help boost performance and reduce fuel consumption. The integrated exhaust manifold, particle filter, and central injector help reduce CO₂ emissions. The TCe 110 engine thus harnesses state-of-the-art technology to give customers the best driving experience and the best possible performance-to-fuel ratio.



ECO-G: DACIA'S PETROL/LPG BI-FUEL OFFER

Dacia is the only manufacturer to offer a full range of petrol/LPG bi-fuel vehicles with the ECO-G label. Mounting these motors directly on the production line guarantees safety and reliability. The length of the manufacturer's warranty, cost and scheduling of maintenance, and boot capacity are identical to that of a traditional petrol motor (the LPG tank is located where the spare wheel is usually housed).

The WLTP combined cycle fuel economy of the ECO-G 100 engine starts at 7.6 L/100km* (for 121 g CO₂/km*). When running on LPG, average CO₂ emissions for the Dacia Jogger are 10% less than for an equivalent petrol engine. Moreover, it boasts a maximum range of 1,000km thanks to its two tanks: a 40L LPG tank and 50L petrol tank.

Dacia harnesses the power of LPG for ease of use, more driving pleasure, lower CO₂ emissions, and greater range. Depending on the country, petrol/LPG bi-fuel motors also benefit from tax incentives or reductions, cost less to fill up, and help avoid pollution taxes and traffic restrictions.

** Estimated values under approval*

DACIA JOGGER HYBRID SET FOR RELEASE IN 2023

2023 will see the addition of a hybrid engine to the range. The Dacia Jogger will be the first Dacia model to feature hybrid technology. It will become the most affordable 7-seater hybrid on the market.

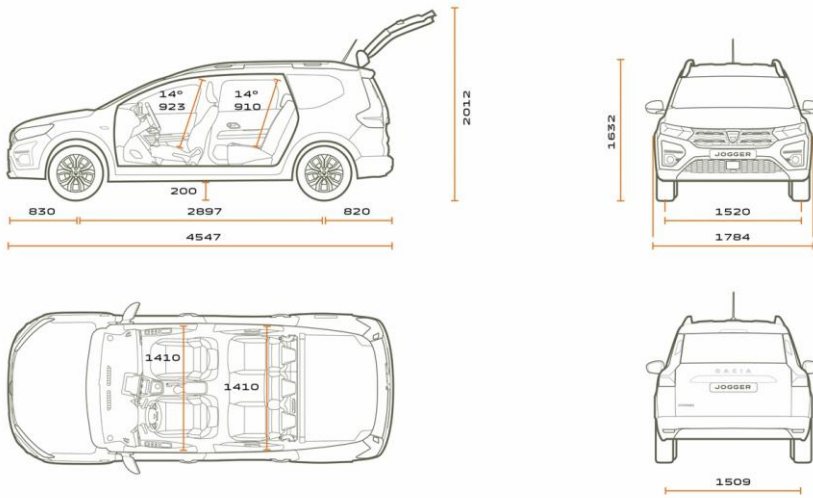
The Dacia Jogger hybrid technology will incorporate a 1.6 litre petrol engine, two electric motors (an 'e-engine' and a high voltage starter motor), and a multi-mode clutch-less dog box. Regenerative braking, combined with the high self-charging capacity of the 1.2 kWh (230V) batteries and efficient automatic transmission, means 80% of its time spent on city roads can be in full-electric mode thereby saving up to 40% on fuel (compared to an equivalent petrol engine in urban-cycle, and all without changing the way one drives).

Other benefits include:

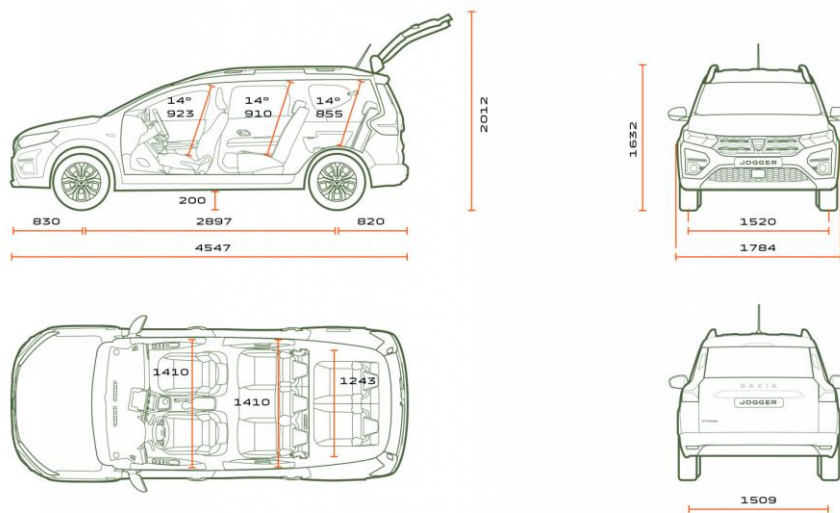
- full electric start
- comfortable driving feel thanks to an automatic transmission
- easy to use so automatically switching between driving modes helps optimise driving pleasure and energy performance.

DIMENSIONS

5-seater version



7-seater version



DIMENSIONS (mm)	
Overall length	4,547
Wheelbase	2,897
Front overhang	830
Rear overhang	820
Overall width (without mirrors)	1,784
Overall width with mirrors folded / with mirrors unfolded	1,848 / 2,007
Front track	1,520
Rear track	1,509
Height with/without roof rails	1,632 / n/a
Height with tailboard open when empty	2,012
Luggage compartment sill height when empty	661
Ground clearance when empty / loaded	200 / n/a
Rear passenger knee room - 2 nd row	181
Rear passenger knee room - 3 rd row	127
Front elbow room	1,410
Rear elbow room – 2 nd row	1,410
Rear elbow room – 3 rd row	1,243
Front shoulder room	1,395
Rear shoulder room	1,372
Front head height	923
Rear head height - 2 nd row	910
Rear head height - 3 rd row	855
Maximum boot entry width	836
Inner width between wheel arch	1,020
Boot length (row 3 removed)	1,150
Boot length (row 2 folded and row 3 removed)	1,487

BOOT VOLUME (dm³ VDA / L)	5 seats	7 seats
All rows in place (top of backrest)	708 / 842	160 / 213
3rd row folded down (top of backrest)	-	565 / 712
2nd folded down and 3rd removed	1,819 / -	

DACIA IS A RENAULT GROUP BRAND, PRESENT IN 44 COUNTRIES, MAINLY IN EUROPE AND THE MEDITERRANEAN BASIN. BORN IN ROMANIA IN 1968, THE BRAND WAS PURCHASED BY GROUPE RENAULT AND RE-LAUNCHED IN 2004 WITH LOGAN. DACIA OFFERS THE BEST VALUE FOR MONEY ON THE MARKET. HAVING LEVERAGED ITS ICONIC MODELS – LOGAN, SANDERO, AND DUSTER – THE BRAND HAS BEEN A COMMERCIAL SUCCESS. To date, DACIA HAS SOLD MORE THAN 7 MILLION VEHICLES.